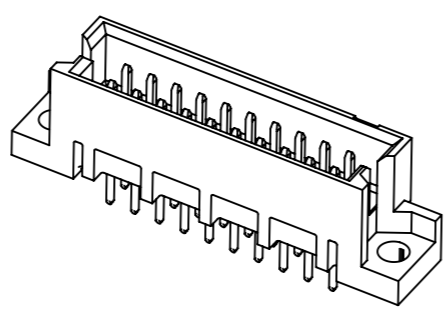
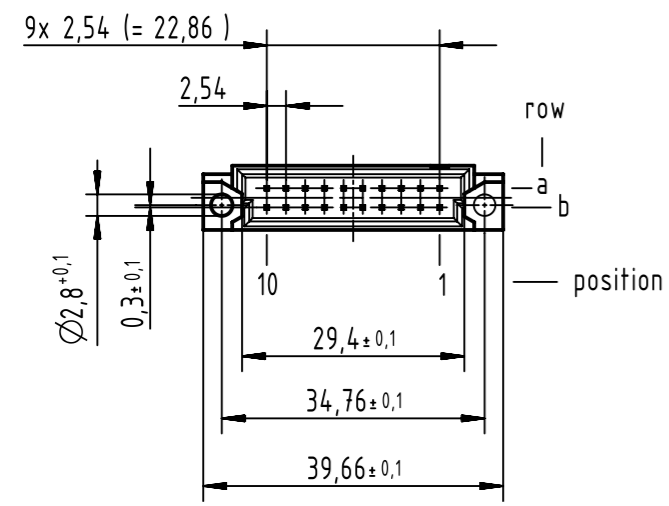
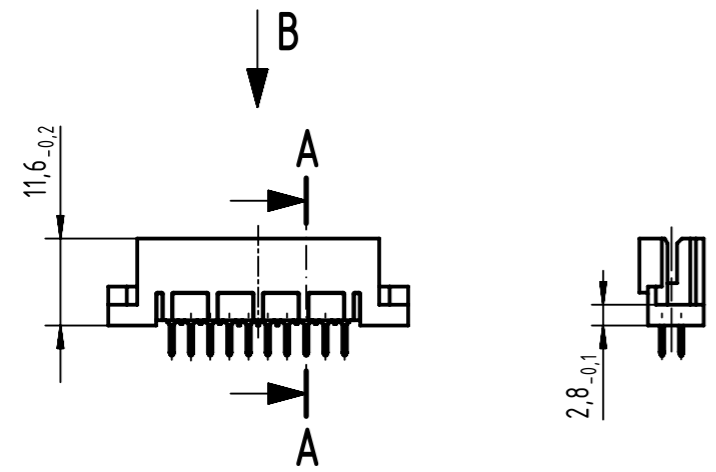
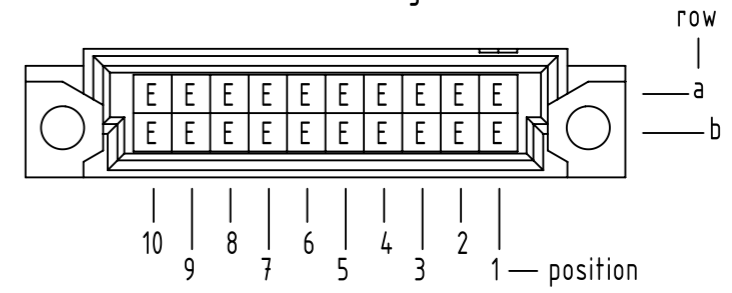


B (2:1)

contact loading



1 further information see: DS 09731100001

09 75 120 6903	2
part no.	performance level 1

	All rights reserved	Created by STORCK	Inspected by LEHNERT	Standardisation HOFFMANN	Date 2019-03-20	State Final Release
	Department EL PD	Title DIN Signal type 30 male solder 4.0 20-pole				Doc-Key / ECM-Nr. 100223825/UGD/008/B 50000014.8630
HARTING Electronics GmbH D-32339 Espelkamp		Type TB	Number 0975120X903		Rev. B	Page 1/1